

Lars Risbo, Purifi, Denmark

Rapid Prototyping of unknown solutions to only partially known problems using Simulink and the SoC design flow

# Overview

- Challenges
  - » Need platform for fast idea/concept exploration, fast failure of unknown algorithms in a system with hi-speed, lo-latency feedback through the real world
- Solution
  - » Matlab SoC design flow, Zedboard, custom board, auto-generation of Simulink, real-time tuning, Built-in Self Test (BiST)
- Results
  - » Proof of concept, closed feedback loop, MLS analyzer as test case, ARM-FPGA comm is a bottleneck

# Lars Risbo, Purifi

- Lars Risbo

- » Ph.D 1994: High-order sigma-delta modulation

- » Founder, Toccata 1996, world's first all digital power amplifier in 1998.

- » Toccata acquired by Texas Instruments in 2000

- » TI-Fellow (2012) , TI audio CTO (2013-2014)

- Purifi

- » Founded in 2015 by Bruno Putzeys, Peter Lyngdorf & Lars Risbo

- » Stealth mode, but focused on signal processing, system-level modeling/optimization/control

# Matlab + Simulink: great RPT tool

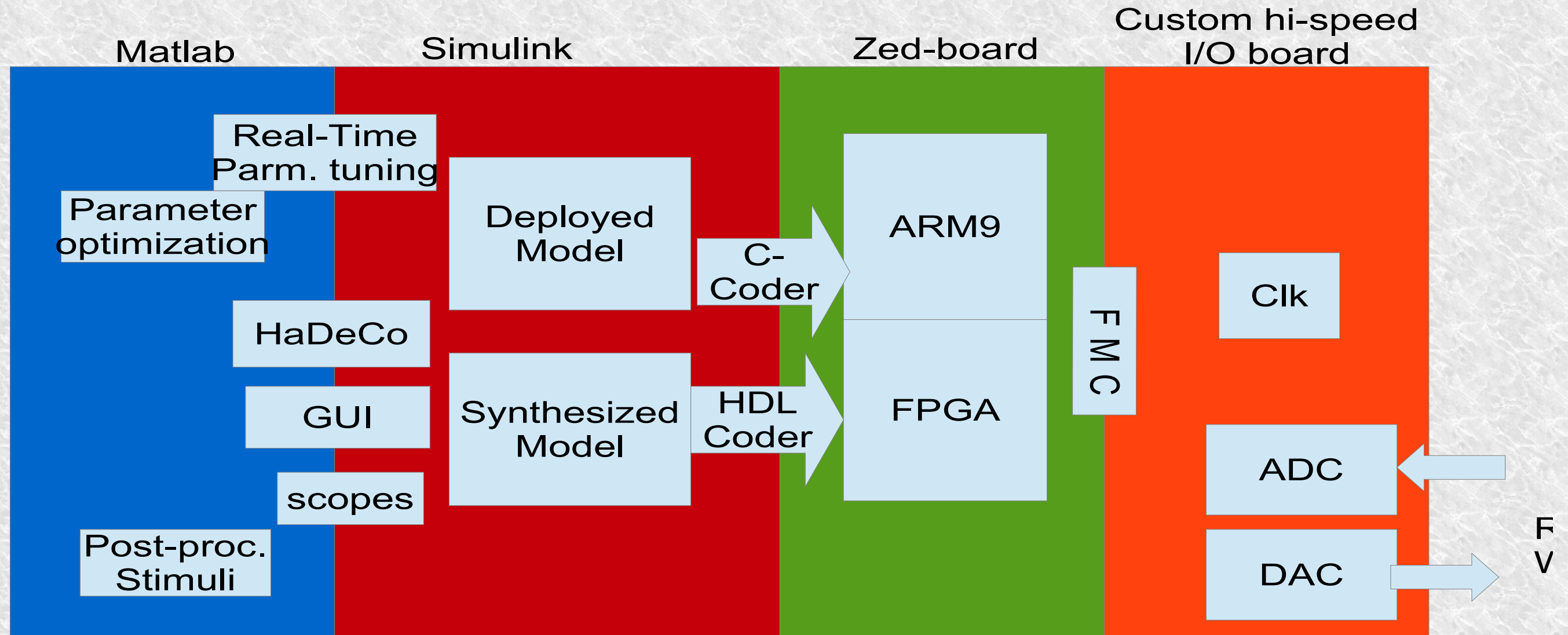
- Instant success/failure! Size/cost not important
- Captures understanding of the problem, e.g. through models and data mining.
- Quick mock-up of solution ideas, Simulink mixes cont. /discrete time blocks
- Great for visualization, team sharing
- Test-beds and analysis integrated
- Powerful automation of tasks, scripts, objects etc.
- High level of abstraction: scripts, vectorization, objects, operator overloading, hierarchical models etc.



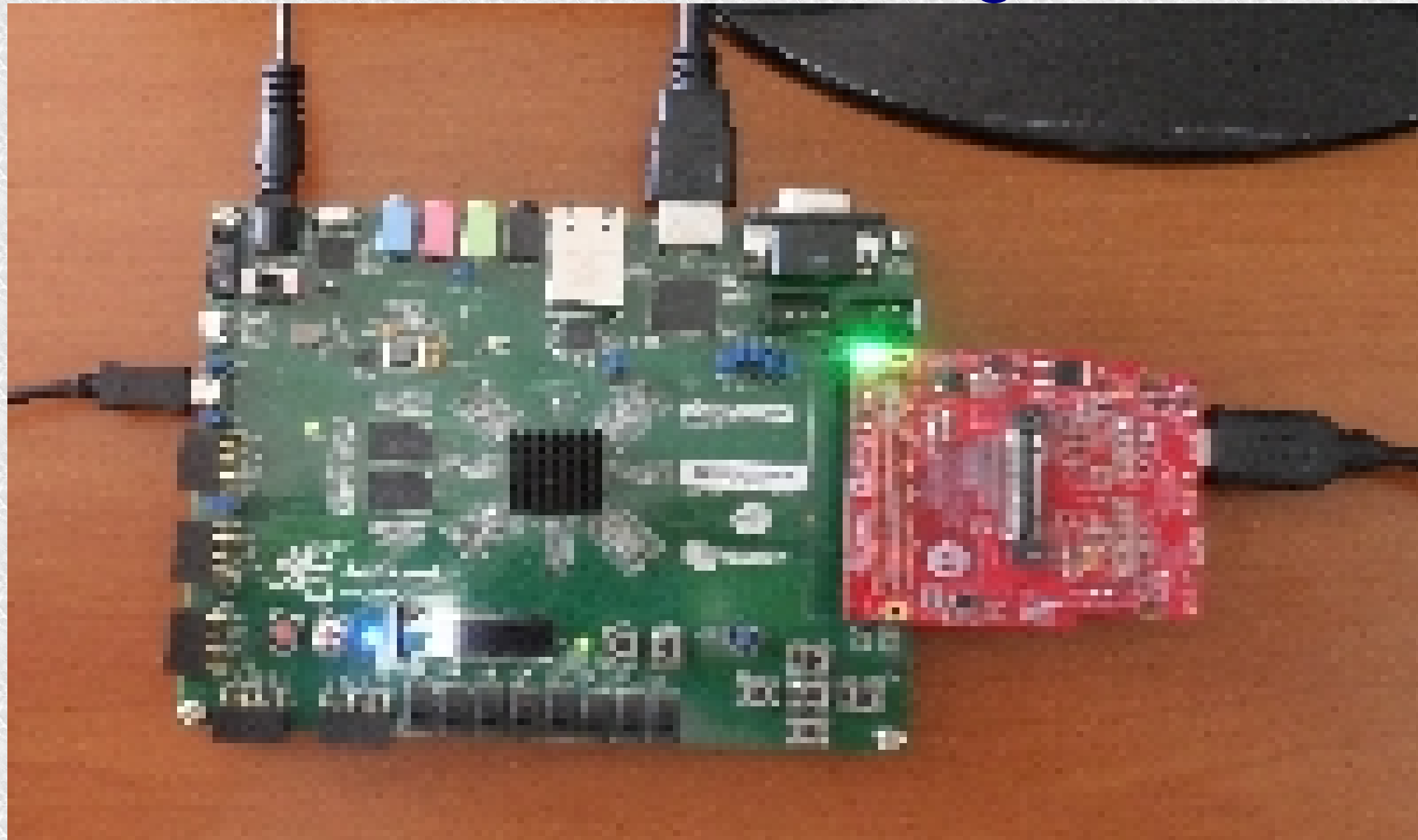
# H/W support/acceleration when

- The real-world is involved in low latency feedback loops at high processing speed
- Custom high-speed interfaces
  - » ADCs /DACs, mixers etc.
- Acceleration using FPGA+Embedded processing
- Solution:
  - » Matlab SoC flow
  - » Automated code generation from Simulink
  - » HDL coder for fast H/W

# Purifi RPT Platform



# Zedboard with an FMC daughter card

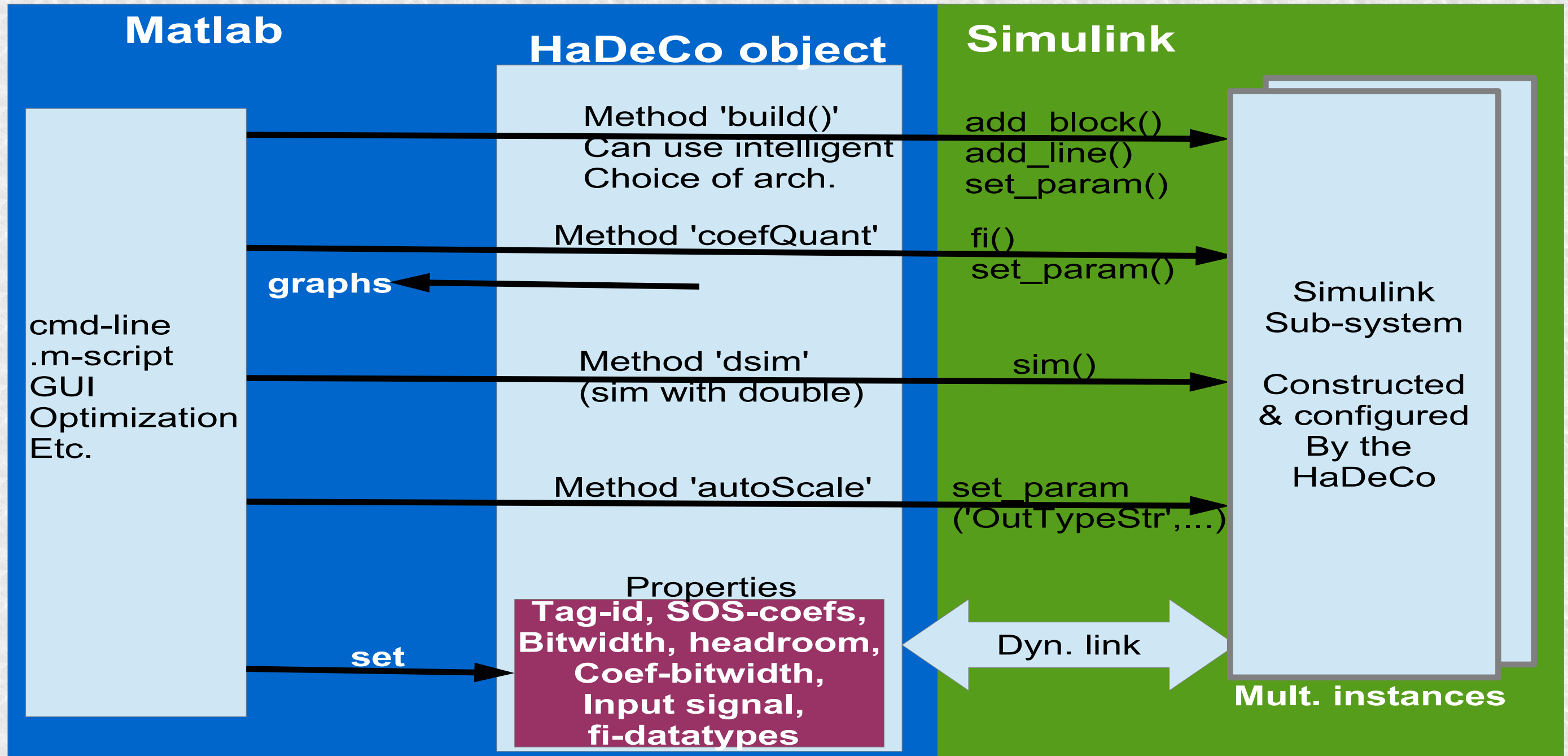


# Even higher levels of abstraction

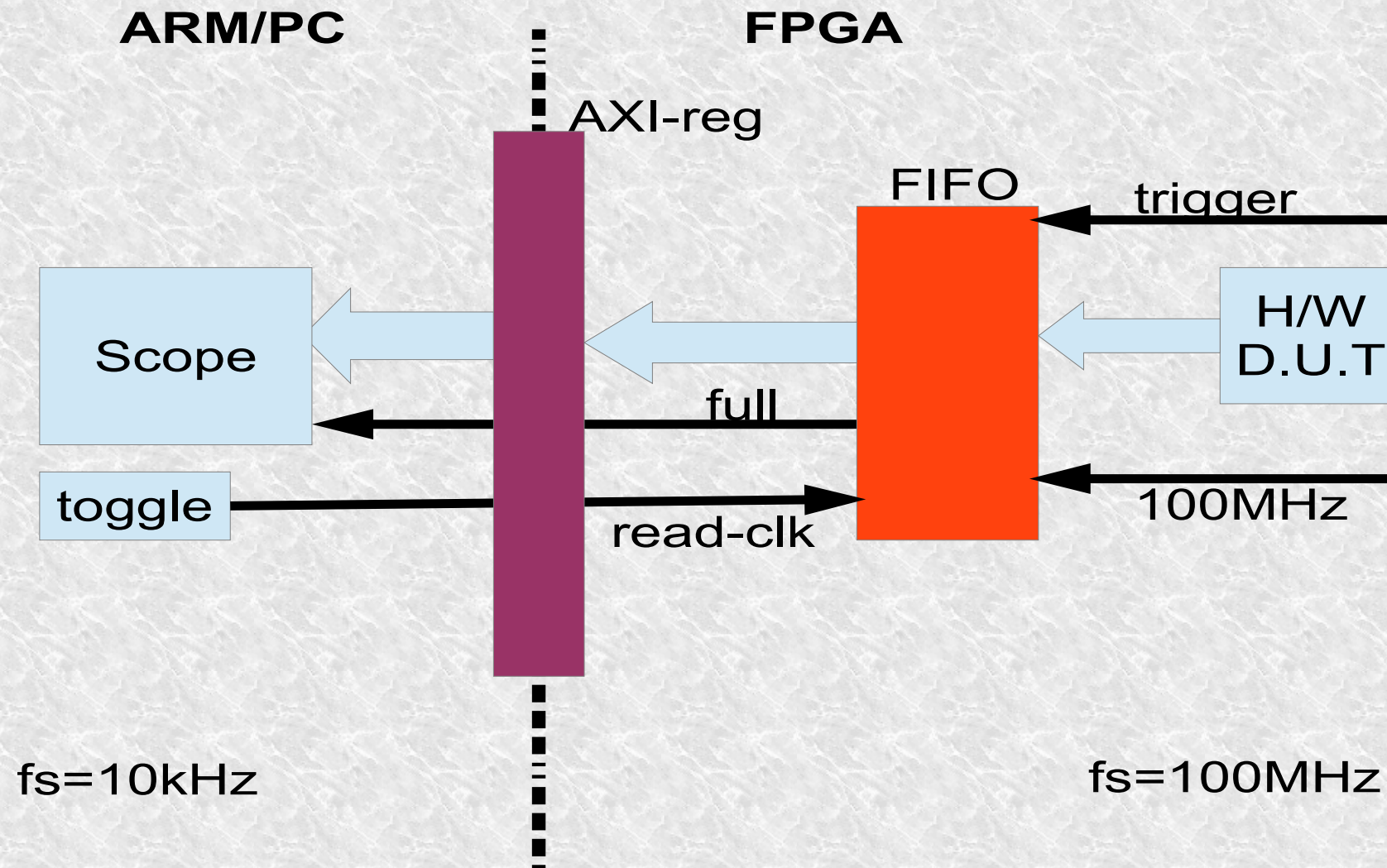
- Example: linear filter block in pure Simulink:
  - ! Just define the Transfer Function and go and tweak endlessly...
  - ! Change the TF from workspace directly
- Using HDL Coder:
  - ! Needs to be fixed-point, pick proper architecture and scaling, quite a barrier to creativity and speed
- Should be just as easy as in pure Simulink!
- More automation/abstraction:
  - ! Introducing the Hardware-Design & Control Object HaDeCo



# HaDeCo

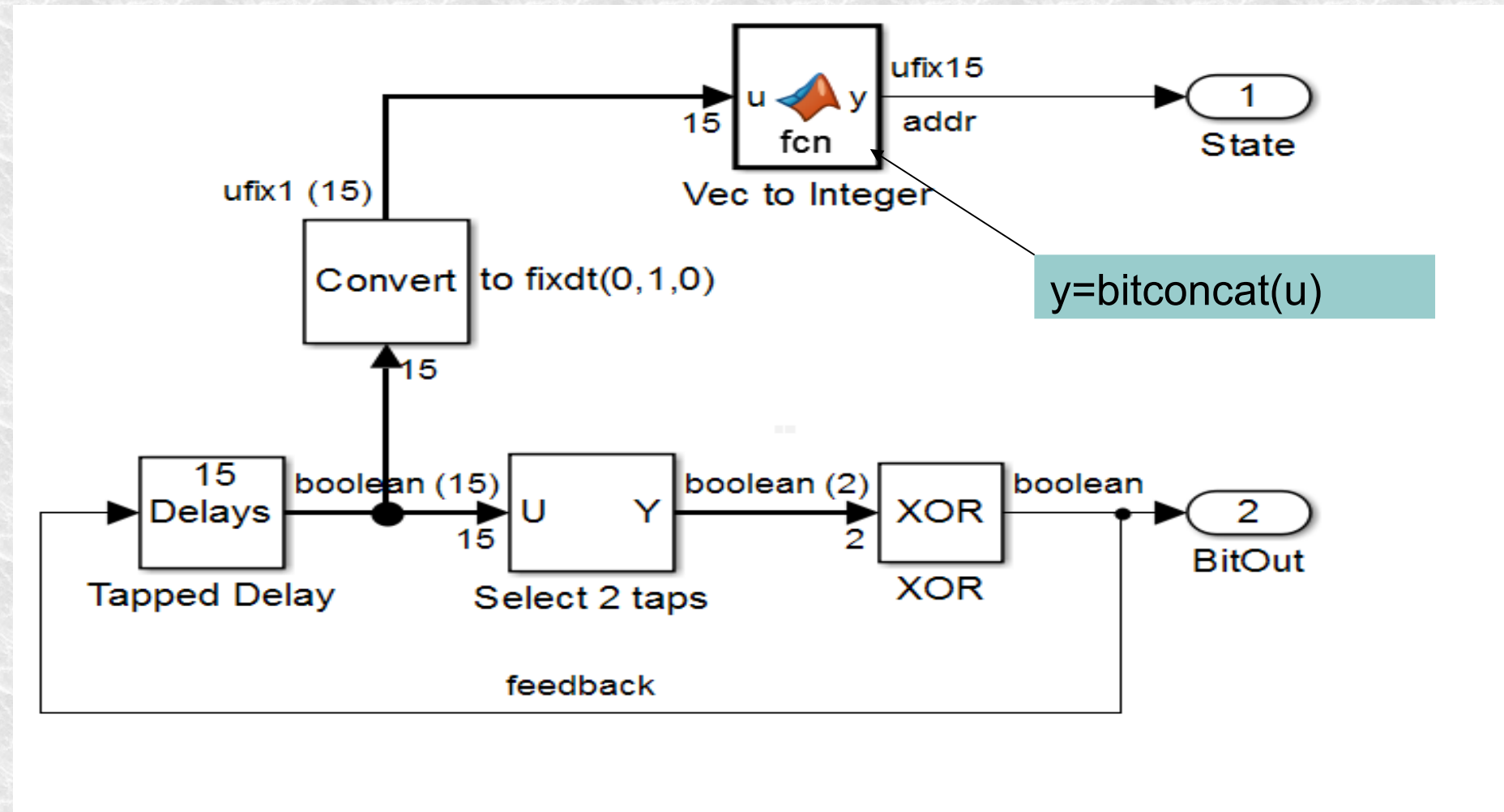


# BiST: 100MHz Logic Analyzer



Saves expensive logic analyzer

# Maximum Length Sequence Generator



1-st pass success in HDL Coder, 100% reconfigurable using workspace/scripts  
Used in an MLS network analyzer for system identification of the ADCs and H/W

# Path to ASIC/IC

- After prototyping → fast to real product
- HDL Code migrates to ASIC/IC
- Re-use of test-benches from prototyping
- Verification using HDL Verifier, co-simulations
- Automatic test vector generation
- Let the machine do the hard & repeated work



# Conclusion

- The SoC flow expands Matlab/simulink into RPTing of fast real-time systems
- Fast idea exploration and fail/learn-cycles
- More abstraction/automation desirable for repeated tasks
  - » Auto-generated/configured Simulink
- Real-time tuning, data analysis, self-test
- Fast-forward to real product (e.g. ASIC)
  - » Re-use of test-beds, co-sim, vectors etc